

Архангельск (8182)63-90-72
 Астана +7(7172)727-132
 Белгород (4722)40-23-64
 Брянск (4832)59-03-52
 Владивосток (423)249-28-31
 Волгоград (844)278-03-48
 Вологда (8172)26-41-59
 Воронеж (473)204-51-73
 Екатеринбург (343)384-55-89
 Иваново (4932)77-34-06
 Ижевск (3412)26-03-58
 Казань (843)206-01-48

Калининград (4012)72-03-81
 Калуга (4842)92-23-67
 Кемерово (3842)65-04-62
 Киров (8332)68-02-04
 Краснодар (861)203-40-90
 Красноярск (391)204-63-61
 Курск (4712)77-13-04
 Липецк (4742)52-20-81
 Магнитогорск (3519)55-03-13
 Москва (495)268-04-70
 Мурманск (8152)59-64-93
 Набережные Челны (8552)20-53-41

Нижний Новгород (831)429-08-12
 Новокузнецк (3843)20-46-81
 Новосибирск (383)227-86-73
 Орел (4862)44-53-42
 Оренбург (3532)37-68-04
 Пенза (8412)22-31-16
 Пермь (342)205-81-47
 Ростов-на-Дону (863)308-18-15
 Рязань (4912)46-61-64
 Самара (846)206-03-16
 Санкт-Петербург (812)309-46-40
 Саратов (845)249-38-78

Смоленск (4812)29-41-54
 Сочи (862)225-72-31
 Ставрополь (8652)20-65-13
 Тверь (4822)63-31-35
 Томск (3822)98-41-53
 Тула (4872)74-02-29
 Тюмень (3452)66-21-18
 Ульяновск (8422)24-23-59
 Уфа (347)229-48-12
 Челябинск (351)202-03-61
 Череповец (8202)49-02-64
 Ярославль (4852)69-52-93

Единый адрес для всех регионов: hcd@nt-rt.ru || www.hydac.nt-rt.ru

Electronic Speed Sensor HSS 210

Description:

The contact-free speed sensors of the HSS 210 series detect the movement of ferromagnetic structures, such as gear wheels, gear rims or perforated discs, using the changes in magnetic flux.

So each sensor has two Hall elements and the differential between the two signals is detected, evaluated and then converted into an output signal suitable for processing.

For integration into standard controls, standard output signals are available.

Due to their extremely compact design, the robust housing and protection class IP 67, the instruments can be used in almost any application and any mounting position.

The main fields of application are detection of speed and rotation direction on gear wheels with a small module and high resolution, especially in vehicles and mobile machines with hydraulic drives.

Special features:

- 2-channel Hall differential sensor
- Wide frequency range
- Alignment required when installing
- Large air gap
- Simple installation



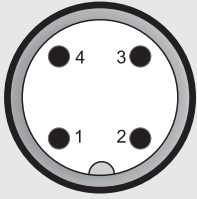
Technical data:

Input data	
Frequency range	0.1 .. 20,000 Hz
Installation depth	0 .. 50 mm adjustable
Max. pressure on sensing surface	5 bar, static / dynamic
Air gap / installation distance	Module 1: 0.2 .. 1.0 mm Module 1.25: 0.2 .. 1.5 mm Module 1.5: 0.2 .. 1.7 mm Module 2: 0.2 .. 2.2 mm Module 2.5: 0.2 .. 3.2 mm
Mechanical connection	Screw-in thread M12x1
Type of installation	Dependent on direction
Torque value	13 Nm
Housing material	Brass
Output data	
Variants	2-channel speed (90° phase shift) or 2-channel speed / direction of rotation
Types	2 push-pull frequency outputs or 1 push-pull frequency output + 1 push-pull direction of rotation output
Switching capacity	≤ 50 mA
Direction of rotation	Marking on housing in direction of rotation, gear rotation to right: channel A leading; channel B lagging or direction of rotation signal (right: HIGH / left: LOW)
Signal level	LOW: ≤ 2 V HIGH: ≥ U _B - 2 V
Environmental conditions	
Operating temperature range	-40 .. +125 °C
Media resistance of housing	Oils: HETG; HEES, HFD; HVLP; HLP
CE mark	DIN EN 60947-5-2
Vibration resistance to EN 60068-2-64	0.05 g ² /Hz, 20 .. 2,000 Hz
Shock resistance to EN 60068-2-27	30 g, 11 ms
Protection class to IEC 60529	IP 67 (when an IP 67 female connector is used)
Other data	
Electrical connection	Male M12x1, 4 pole
Supply voltage	8 .. 30 V DC
Residual ripple of supply voltage	≤ 5 %
Current consumption	< 30 mA at 30 V DC
Average life expectancy	200,000 h (MTTF)
Weight	~ 40 g

Note: Reverse polarity protection of the supply voltage and short circuit protection are provided.

Pin connections:

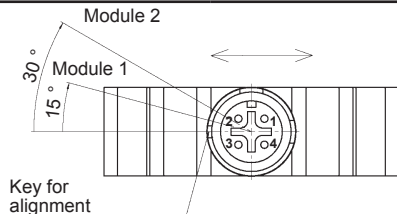
M12x1, 4 pole



Pin	HSS 210-2	HSS 210-3
1	+U _B	+U _B
2	Frequency 1 (A)	Frequency
3	0 V	0 V
4	Frequency 2 (B)	Direction of rotation

Adjustment angle for other modules:

It is possible to achieve a 90° phase shift of the two frequency signals by turning the sensor through the angle indicated in the table below.



Module 1	+15°
Module 1.25	+18°
Module 1.5	+23°
Module 2	+30°
Module 2.5	+38°

Model code:

HSS 2 1 0 - X - 050 - 000

Signal technology

- 2 = Outputs 1 and 2: Frequency (90° phase shift)
- 3 = Output 1: Frequency
Output 2: Direction of rotation

Installation depth

050 = 50 mm max.

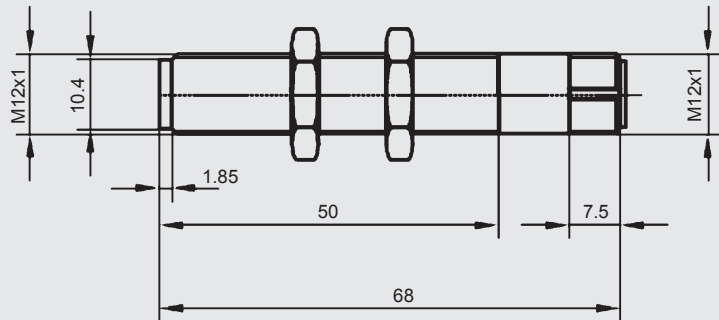
Modification number

000 = Standard

Notes:

On instruments with a different modification number, please read the label or the technical amendment details supplied with the instrument.

Dimensions:



Архангельск (8182)63-90-72

Астана +7(7172)727-132

Белгород (4722)40-23-64

Брянск (4832)59-03-52

Владивосток (423)249-28-31

Волгоград (844)278-03-48

Вологда (8172)26-41-59

Воронеж (473)204-51-73

Екатеринбург (343)384-55-89

Иваново (4932)77-34-06

Ижевск (3412)26-03-58

Казань (843)206-01-48

Калининград (4012)72-03-81

Калуга (4842)92-23-67

Кемерово (3842)65-04-62

Киров (8332)68-02-04

Краснодар (861)203-40-90

Красноярск (391)204-63-61

Курск (4712)77-13-04

Липецк (4742)52-20-81

Магнитогорск (3519)55-03-13

Москва (495)268-04-70

Мурманск (8152)59-64-93

Набережные Челны (8552)20-53-41

Нижний Новгород (831)429-08-12

Новокузнецк (3843)20-46-81

Новосибирск (383)227-86-73

Орел (4862)44-53-42

Оренбург (3532)37-68-04

Пенза (8412)22-31-16

Пермь (342)205-81-47

Ростов-на-Дону (863)308-18-15

Рязань (4912)46-61-64

Самара (846)206-03-16

Санкт-Петербург (812)309-46-40

Саратов (845)249-38-78

Смоленск (4812)29-41-54

Сочи (862)225-72-31

Ставрополь (8652)20-65-13

Тверь (4822)63-31-35

Томск (3822)98-41-53

Тула (4872)74-02-29

Тюмень (3452)66-21-18

Ульяновск (8422)24-23-59

Уфа (347)229-48-12

Челябинск (351)202-03-61

Череповец (8202)49-02-64

Ярославль (4852)69-52-93

Единый адрес для всех регионов: hcd@nt-rt.ru || www.hydac.nt-rt.ru